

1 2 3 4 5 6

A

B

C

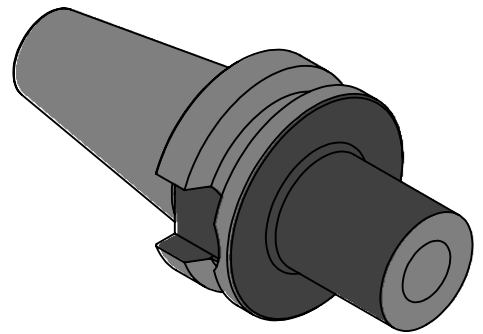
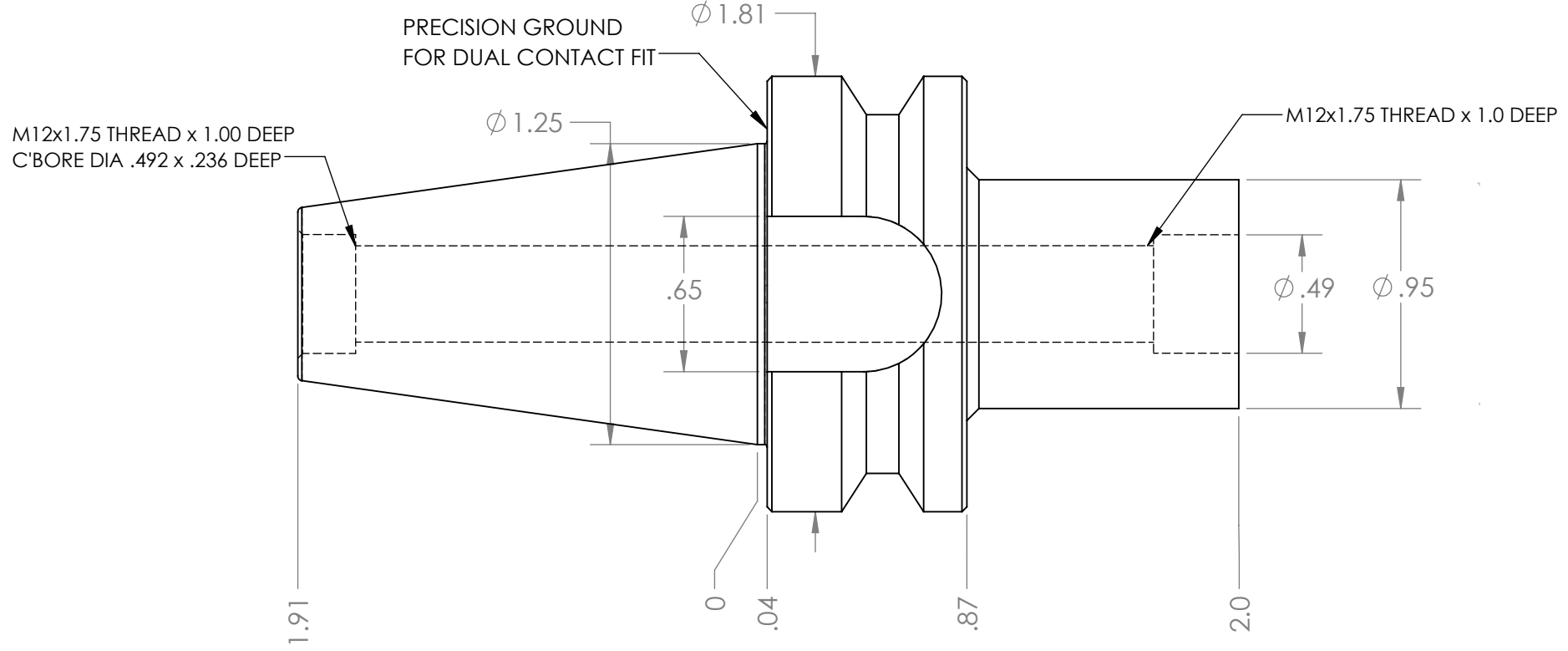
D

A

B

C

D



NOTES:
 WORKS ON ALL BT30 MACHINES WITH DUAL CONTACT SPINDLES
 COMPATIBLE WITH BIG-PLUS® SPINDLES
 ACCEPTS M12 X 1.75 THREADED BODIES
 FOR MORE PRODUCT DETAILS PLEASE GO TO MARITOO.COM
 AND SEARCH ITEM # LISTED ON THIS PRINT

MARITOO

WWW.MARITOO.COM

ITEM# **BT30 TB12-2.0D**

Made in USA

1 2 3 4 5 6